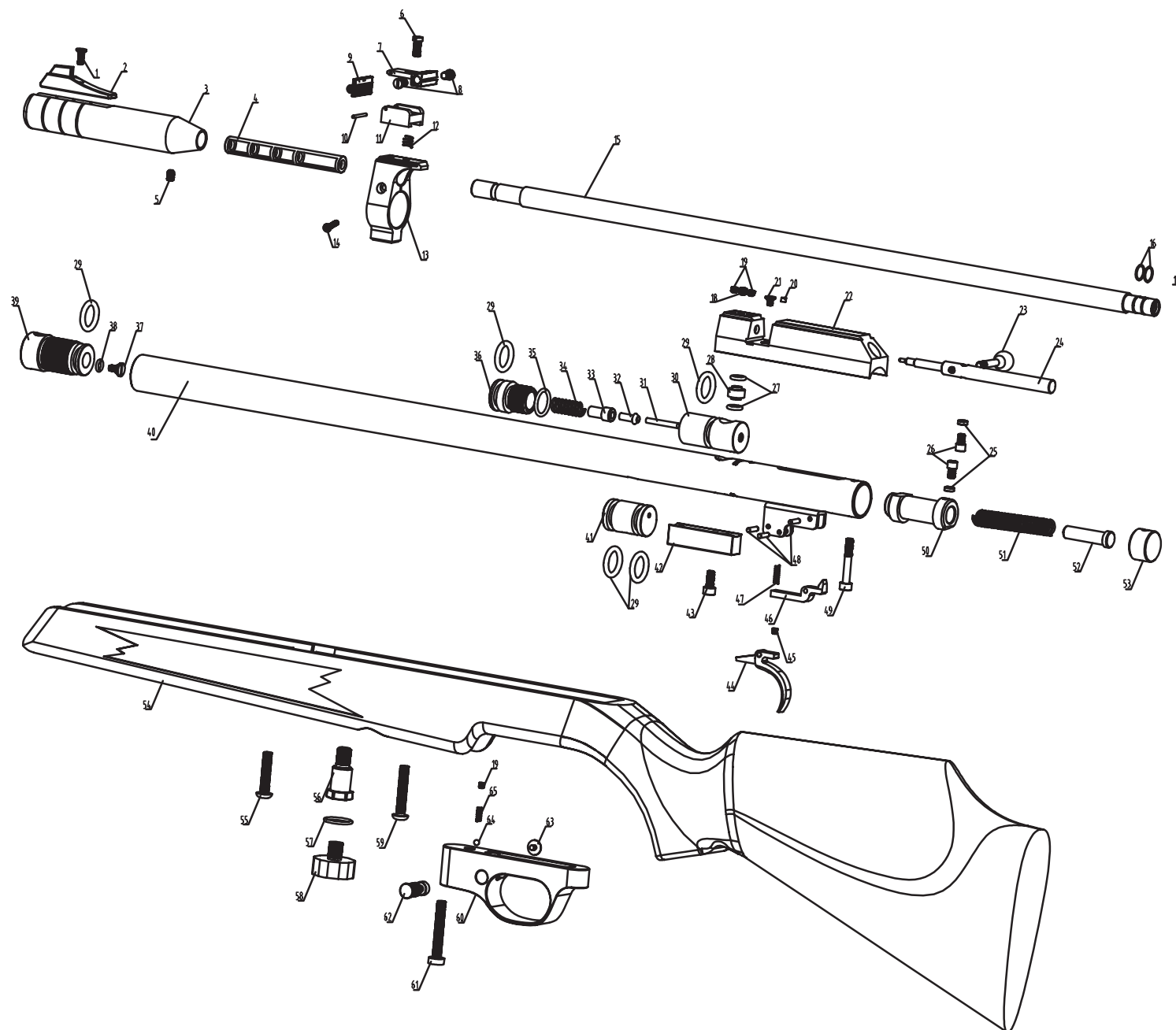


Ersatzteile | Spare Parts

stormrider®



DIANA®

Mayer & Grammelspacher GmbH & Co.KG
Postanschrift:
Oesterweg 21 | 59469 Ense

Service:
Auf den Geeren 23 | 59469 Ense

Telefon: 02938 97837 - 60
Telefax: 02938 97837 - 162
info@diana-airguns.de

www.diana-airguns.de

Ersatzteile | Spare Parts

stormrider®

POS-No.	Art-No.	Description	Qty.
1	190-001	Front Sight Screw	1
2	190-002	Front Sight	1
3	190-003	Suppressor	1
4	190-004	Suppressor Insert 4.5	1
5	190-005	Suppressor Screw	1
6	190-006	Elevation Screw	1
7	190-007	Rear Sight Base	1
8	190-008	Windage Screw	2
9	190-009	Rear Sight	1
10	190-010	Rear Sight Base Pin	1
11	190-011	Rear Sight Base Botton	1
12	190-012	Rear Sight Spring	1
13	190-013	Air Reservoir Mount	1
14	190-014	Air Reservoir Fixing Screw	1
15	190-015	Barrel 4,5mm	1
16	190-016	Barrel O-Ring	2
17	190-017	Breech O-Ring 4,5mm	1
18	190-018	Safety Screw	1
19	190-019	Barrel Fixing Screw	3
20	190-020	Insert Magnet 1	1
21	190-021	Rear Sight Screw 2	1
22	190-022	Breech 4,5mm	1
23	190-023	Bolt	1
24	190-024	Firing Pin 4,5mm	1
25	190-025	Piston Screw Bushing	2
26	190-026	Piston Screw	2
27	190-027	Valve Connector O-Ring	2
28	190-028	Valve Connector	1
29	190-029	Valve O-Ring 1	5
30	190-030	Exhaust Valve Body 2	1
31	190-031	Exhaust Valve Core Pin	1
32	190-032	Exhaust Valve Core	1
33	190-033	Exhaust Valve Core Cover	1
34	190-034	Valve Spring	1
35	190-035	Valve O-Ring 2	1

POS-No.	Art-No.	Description	Qty.
36	190-036	Exhaust Valve 1	1
37	190-037	Exhaust Valve Screw	1
38	190-038	Intake Valve O-Ring	1
39	190-039	Intake Valve	1
40	190-040	Air Reservoir Assembly	1
41	190-041	Pressure Gauge Connector	1
42	190-042	Trigger Base	1
43	190-043	Trigger Base Screw	1
44	190-044	Trigger	1
45	190-045	Trigger Screw	1
46	190-046	Sear	1
47	190-047	Trigger Spring	1
48	190-048	Trigger Pin	1
49	190-049	Breech Lower Screw	3
50	190-050	Piston	1
51	190-051	Piston Spring	1
52	190-052	Piston Rod	1
53	190-053	Piston Cover	1
54	190-054	Wood Stock	1
55	190-055	Air Reservoir Mount	1
56	190-056	Pressure Gauge Connector Sleeve	1
57	190-057	Pressure Gauge O-Ring	1
58	190-058	Pressure Gauge	1
59	190-059	Wood Stock Screw	1
60	190-060	Trigger Guard	1
61	190-061	Trigger Guard Screw	1
62	190-062	Left Safety Button	1
63	190-063	Right Safety Button	1
64	190-064	Detent Ball	1
65	190-065	Safety Spring	1